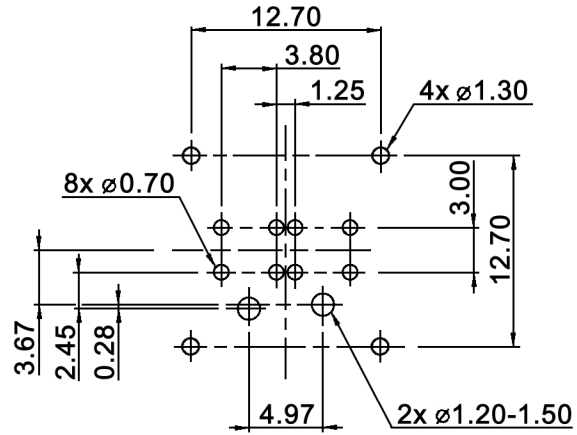
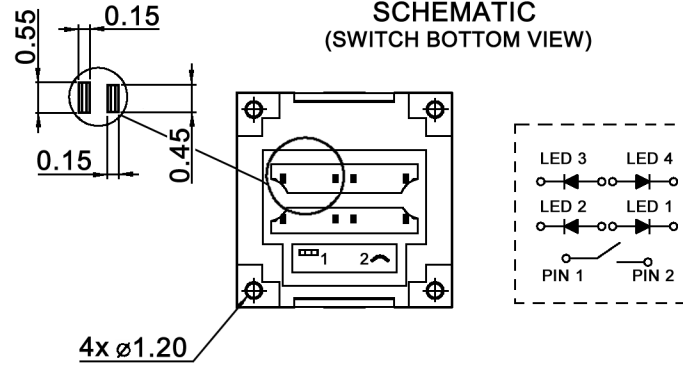


Tolerances: 0.00 to 30.00: ±0.20mm 30.01 to 80.00: ±0.25mm		Date	Name	<b>LP 14 CG-deeee</b>	
		06/08	dr		
Material	08/13	dr		<b>30 15 10</b>	
Ordering example	07/11	dr			
Revised	12/10	dr		Page	
Dimensions	10/10	dr	<b>knitter-switch</b>		
LED specifications	10/10	dr		1/4	
Modifications	Date	Name			

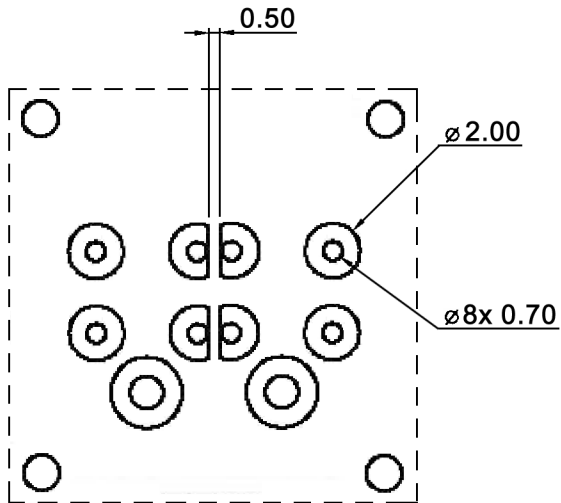
P.C.B. MOUNTING



SCHEMATIC  
(SWITCH BOTTOM VIEW)



P.C.B. COPPER CLAD DESIGN



Tolerances: 0.00 to 30.00: ±0.20mm		Date	Name
30.01 to 80.00: ±0.25mm		06/08	dr
Modifications	Date	Name	

**LP 14 CG-deeee**

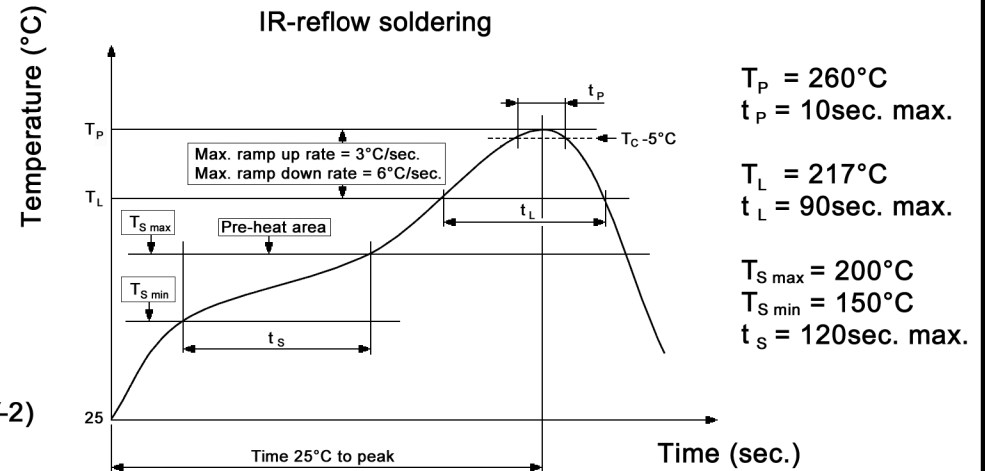
**knitter-switch**

**30 15 10**

**Specifications:**

**Contact rating:** 100mA, 12V DC (resistive load)  
**Contact resistance:** 20mOhm max.  
**Insulation resistance:** 100MOhm min. at 500V DC  
**Dielectric strength:** 600V AC for 1 minute  
**Operating temperature:** -40°C to +85°C  
**Electrical life:** 500 000 cycles min.  
**Operating force:** 180 +/-50gf  
**Soldering conditions:** auto-soldering: max.: 260°C, 3sec.  
 reflow soldering: see profile  
 (remove cap and diffusor!)  
**Switching function:** off - mom  
**Travel:** 4.3mm; switching point: 2.9mm  
**Material:** Terminal: phosphor bronze, tin plated over nickel  
 Movable contact: brass, gold plated over nickel  
 Lower housing / diffusor holder: PA66+33%GF (UL94V-2)  
 LED cover / upper housing: PA66 (UL94HB)  
 Plunger: PA66 (UL94HB)  
 Diffuser: PC (UL94V-0)  
 Sculptured cap: PC (UL94V-2)  
**Recommended insert legend:** 12.8x12.8x0.1mm, polyester film

**Soldering conditions:**



Tolerances: 0.00 to 30.00: ±0.20mm 30.01 to 80.00: ±0.25mm		Date	Name	<h1>LP 14 CG-deeee</h1>
		06/08	dr	
		<b>knitter-switch</b>		<h2>30 15 10</h2>
Modifications		Date	Name	Page 3/4

LED specifications:

Cap colour (d)	Code
clear	empty
red	R
orange	O
yellow	Y
green	G
blue	B
grey	K

LED colour (e)	Code
red	R
green	G
blue	B
yellow	Y
orange	O
white	W
without LED	N

Ordering example:  
Switch with clear cap and 3 LEDs (RGB)  
LP 14 RGBN

	Red	Green	Blue	Yellow	Orange	White
Minimum Luminous (mcd)	70	380	50	36	70	480
Standard Luminous (mcd)	150	470	130	80	180	800
Forward Peak Current (mA)	155	150	150	150	175	150
Power Dissipation (mW)	75	102.5	120	75	75	120
Forward Voltage (V), Typ. at If = 20mA	1.85	3.10	3.30	2.10	2.00	3.30
Forward Voltage (V), Max. at If = 20mA	2.50	4.10	4.00	2.50	2.50	4.00
Reverse Voltage (V)	5	5	5	5	5	5
Dominant Wavelength (nm)	640	525	470	570	590	N/A
Spread Angle (degree)	120	120	120	120	120	120

The specifications shown are at a room temperature of 25°C. LED is not available separately, it is isolated and requires an external power source.



Tolerances: 0.00 to 30.00: ±0.20mm 30.01 to 80.00: ±0.25mm		Date 06/08	Name dr	<h1>LP 14 CG-deeee</h1>
		<b>knitter-switch</b>		<h2>30 15 10</h2>
				Page 4/4
Modifications	Date	Name		